

THE INFORMATION CONTAINED IN THIS DRAWING IS THE SOLE PROPERTY OF ANDERSON POWER PRODUCTS. ANY REPRODUCTION IN PART OR WHOLE WITHOUT THE WRITTEN PERMISSION OF ANDERSON POWER PRODUCTS IS PROHIBITED.

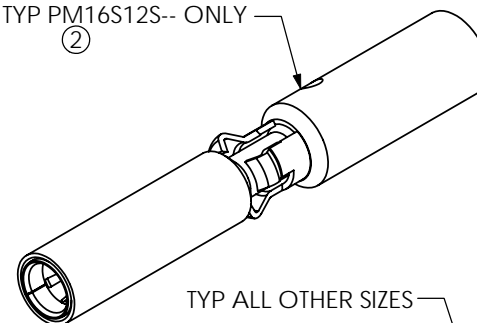
Copyright 2006

ANDERSON POWER PRODUCTS RESERVES THE RIGHT TO ALTER PRODUCT TYPES, THEIR TECHNICAL DATA, DIMENSION, STYLE AND ACCESSORIES WITHOUT PRIOR NOTIFICATION.

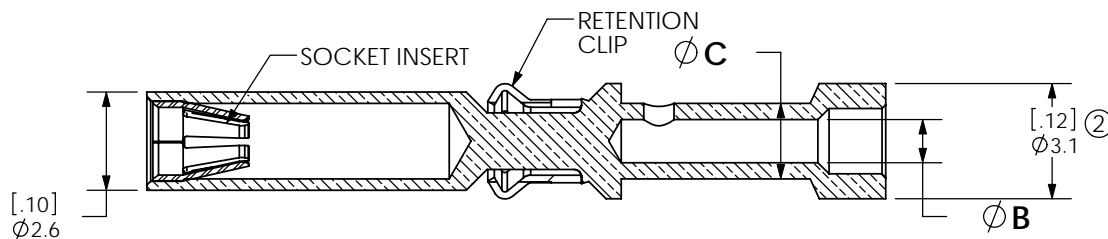
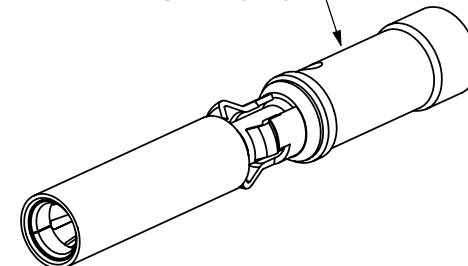
PART NO.	AWG	DIA B		DIA C		PLATING TYPE
		mm	IN	mm	IN	
PM16S2024S30	20/22/24	1.1	.04	2.0	.08	A
PM16S1620S30	16/18/20	1.7	.07	2.8	.11	A
PM16S1416S30	14/16	2.1	.08	2.8	.11	A
PM16S12S30	12	2.6	.10	N/A	N/A	A
PM16S2024S32	20/22/24	1.1	.04	2.0	.08	B
PM16S1620S32	16/18/20	1.7	.07	2.8	.11	B
PM16S1416S32	14/16	2.1	.08	2.8	.11	B
PM16S12S32	12	2.6	.10	N/A	N/A	B

TYP PM16S12S-- ONLY

②



TYP ALL OTHER SIZES



SECTION A-A

NOTES:

- MATERIAL:
CONTACT BODY: BRASS
SOCKET INSERT: BeCu
RETENTION CLIP: STAINLESS STEEL
- FINISH:
TYPE A:
CONTACT BODY- BRIGHT TIN/LEAD OVER NICKEL
SOCKET INSERT- GOLD OVER NICKEL
TYPE B: (LEAD FREE)
CONTACT BODY- BRIGHT TIN OVER NICKEL
SOCKET INSERT- GOLD OVER NICKEL
- CRIMP CONTACT ONTO WIRE BEFORE INSERTING INTO HOUSING

DIMENSIONS ARE IN:		MM [INCH]	APPROVALS		ANDERSON POWER PRODUCTS
UNLESS OTHERWISE STATED			DRAWN	CMS 1/30/06	
TOLERANCES:			CHECKED	DJD 1/31/06	
DECIMALS (INCH) DECIMALS (MM) ANGLES			MFG APP	CHB 2/3/06	
.XX ± .02 .X ± .5 ± 2°			QC APP	JA 1/30/06	
SURFACE FINISH:			ENG APP	UFN 2/3/06	SIZE
ISO 1302 ✓					DWG NO.
MATERIAL: SEE NOTES					114646S1
FINISH: SEE NOTES					REV.
					2
CAD GENERATED DRAWING. DO NOT MANUALLY UPDATE. DO NOT SCALE			SCALE	CADFILE	SHEET
			NONE	02499	1 OF 1

REV.	DESCRIPTION OF CHANGES	APPROVED	DATE
2	ECRN 14485: ADD Ø3.1, ADD ISO VIEW FOR #12 CONTACT	CMS	9/11/09
1	ECRN 14034	CMS	6/19/06